



3 DRAWER MID-BOX CHEST, 5 DRAWER TOPCHEST, ROLL CAB 8 DRAWER WITH BALL BEARING SLIDES - BLACK/GREY

MODEL NO'S: AP3503TB.V2, AP3505TB.V2, AP3508TB.V2

Thank you for purchasing a Sealey product. Manufactured to a high standard, this product will, if used according to these instructions, and properly maintained, give you years of trouble free performance.

IMPORTANT: PLEASE READ THESE INSTRUCTIONS CAREFULLY. NOTE THE SAFE OPERATIONAL REQUIREMENTS, WARNINGS & CAUTIONS. USE THE PRODUCT CORRECTLY AND WITH CARE FOR THE PURPOSE FOR WHICH IT IS INTENDED. FAILURE TO DO SO MAY CAUSE DAMAGE AND/OR PERSONAL INJURY AND WILL INVALIDATE THE WARRANTY. KEEP THESE INSTRUCTIONS SAFE FOR FUTURE USE.



Refer to instruction manual

1. SAFETY

- WARNING!** Ensure Health & Safety, local authority, and general workshop practice regulations are adhered to when using this toolbox combination.
- ✓ Locate the toolbox combination in a suitable working area.
- ✓ Use on level and solid ground, preferably concrete.
- ✓ Keep the work area clean, uncluttered and ensure that there is adequate lighting.
- ✓ Keep the toolbox combination clean and tidy in accordance with good workshop practice.
- ✓ Keep children and unauthorised persons away from the working area.
- ✗ **DO NOT** use the toolbox combination for any purpose other than that for which it is designed.
- ✗ **DO NOT** move the toolbox combination with drawers open. To avoid tipping, open one drawer at a time and close and secure all drawers whilst moving.
- ✗ **DO NOT** overload or step on the drawers.
- ✗ **DO NOT** place the toolbox combination in a damp or wet location or an area where there is condensation.
- ✗ **DO NOT** clean the toolbox combination with any solvents which may damage the surfaces or the protective coating.
- WARNING!** The warnings, cautions and instructions referred to in these instructions cannot cover all possible conditions and situations that may occur. It must be understood that common sense and caution are factors which cannot be built into this product, but must be applied by the operator.

2. INTRODUCTION

Manufactured with double skin side walls for extra strength and finished in smooth, hi-gloss, triple baked enamel. Resists scratches, oil, dirt and most solvents. Smooth ball bearing drawer slides provide superior performance and carry heavier loads. For mobility around the workshop, even when fully laden, the rollcab features hard compound rubber wheels, two fixed and two locking castors. All drawers have been specifically sized to accommodate our range of Siegen tool trays. Supplied with two keys.

3. SPECIFICATION

Model No:AP3503TB.V2
 W x D x H:
 Overall Size:.....605 x 310 x 275mm
 Small drawers (3x):508 x 268 x 54mm

Model No:.....AP3505TB.V2
 Overall Size:.....625 x 305 x 470mm
 Small Drawers (5x):.....508 x 268 x 54mm

Model No:.....AP3508TB.V2
 Overall Size:.....615 x 330 x 885mm
 Overall Size inc. Handle:.....680 x 330 x 885mm
 Small Drawer (5x):508 x 268 x 54mm
 Large Drawer (x3):508 x 268 x 91mm

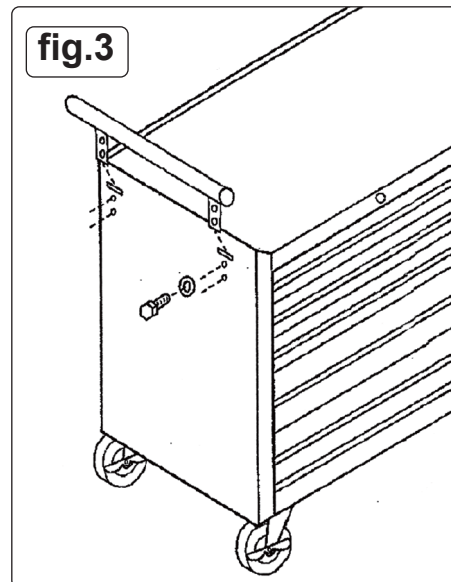
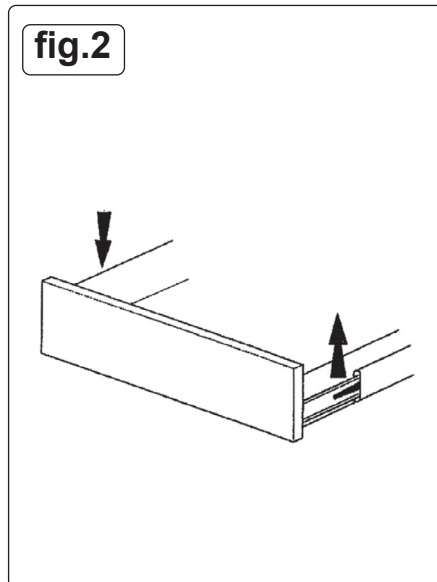
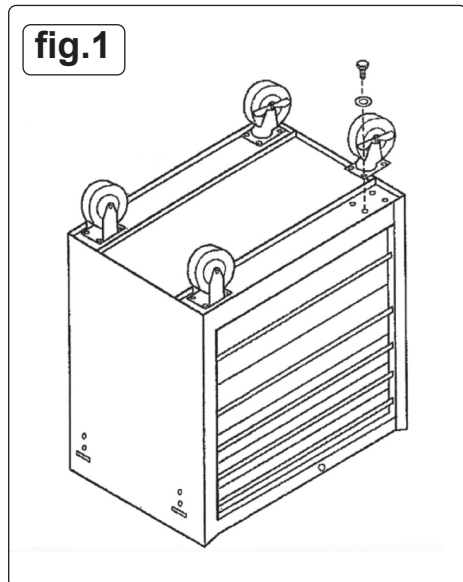


4. ASSEMBLY & INSTALLATION

- 4.1. These units are heavy, obtain the help of at least one other person before attempting to unpack and move them.
- 4.2. Attach the wheels to the bottom of the rollcab using 4 bolts and washers per wheel. The braked swivel wheels should be mounted on the same end as the side mounted handle (left hand side, fig.1).
- 4.3. Mount the side mounted handle onto the cabinet and attach with 4 bolts and washers (fig.3).
- 4.4. To remove a drawer with roller sliders, pull the drawer out completely, press down the left tab and lift up the right tab, pull the drawer off the slides (fig.2). To reinstall the drawer, realign with the internal drawer slide and push until it locks in place.
IMPORTANT: To avoid tipping, open one drawer at a time and close and secure all drawers whilst moving the topchest/rollcab.

5. MAINTENANCE

- 5.1. Periodically lubricate castors and tighten all hardware.
- 5.2. Clean the surfaces with a soft cloth and a mild water/detergent solution.



ENVIRONMENT PROTECTION

Recycle unwanted materials instead of disposing of them as waste. All tools, accessories and packaging should be sorted, taken to a recycling centre and disposed of in a manner which is compatible with the environment. When the product becomes completely unserviceable and requires disposal, drain any fluids (if applicable) into approved containers and dispose of the product and fluids according to local regulations.

Note: It is our policy to continually improve products and as such we reserve the right to alter data, specifications and component parts without prior notice. Please note that other versions of this product are available. If you require documentation for alternative versions, please email or call our technical team on technical@sealey.co.uk or 01284 757505.

Important: No Liability is accepted for incorrect use of this product.

Warranty: Guarantee is 12 months from purchase date, proof of which is required for any claim.

Sealey Group, Kempson Way, Suffolk Business Park, Bury St Edmunds, Suffolk. IP32 7AR



01284 757500



01284 703534



sales@sealey.co.uk



www.sealey.co.uk